

**REFERENCE :** KI0147

**SIZES :** U

**COMPOSITION :**

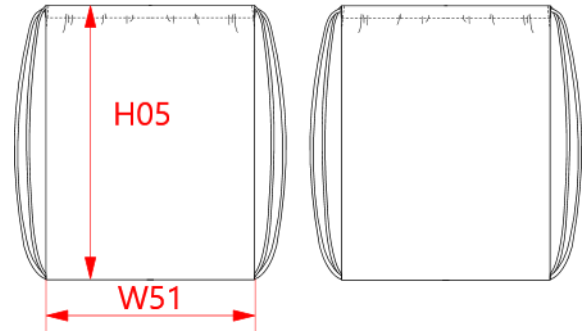
Fabric 1 : Organic cotton woven - 130 OCS certified 100% organic cotton

**TECHNICAL DETAIL :**

OCS certified

**ARTICLE WEIGHT :**

54 gr/pc



DESCRIPTION								COLORS		PANTONE SERIGRAPHIE															
<b>Français :</b> Petit sac à dos en coton bio avec cordelettes <b>English :</b> ORGANIC COTTON SMALL DRAWSTRING BAG <b>Nederlands :</b> Rugzakje van biokatoen met koordjes <b>Deutsch :</b> Kleiner Rucksack aus Bio-Baumwolle mit Kordeln <b>Español :</b> Mochila de algodón orgánico pequeña <b>Italiano :</b> Sacca zaino con cordini in cotone bio <b>Português :</b> Mochila pequena em algodão biológico com cordões								Black	Black	Natural	7534C	Dark pink	494C	Magenta	205C	Navy	433C	Pistachio green	358C	Tropical blue	7468C	White	White	Hibiscus red	1815C
MEASUREMENT																									
Description	U																								
H05 Hauteur totale / Total height	36																								
W51 Total width	30																								
PACKING																									
Box	200 pcs / box U => L:40cm W:35cm H:40cm GW:11.05kg NW:10kg																								